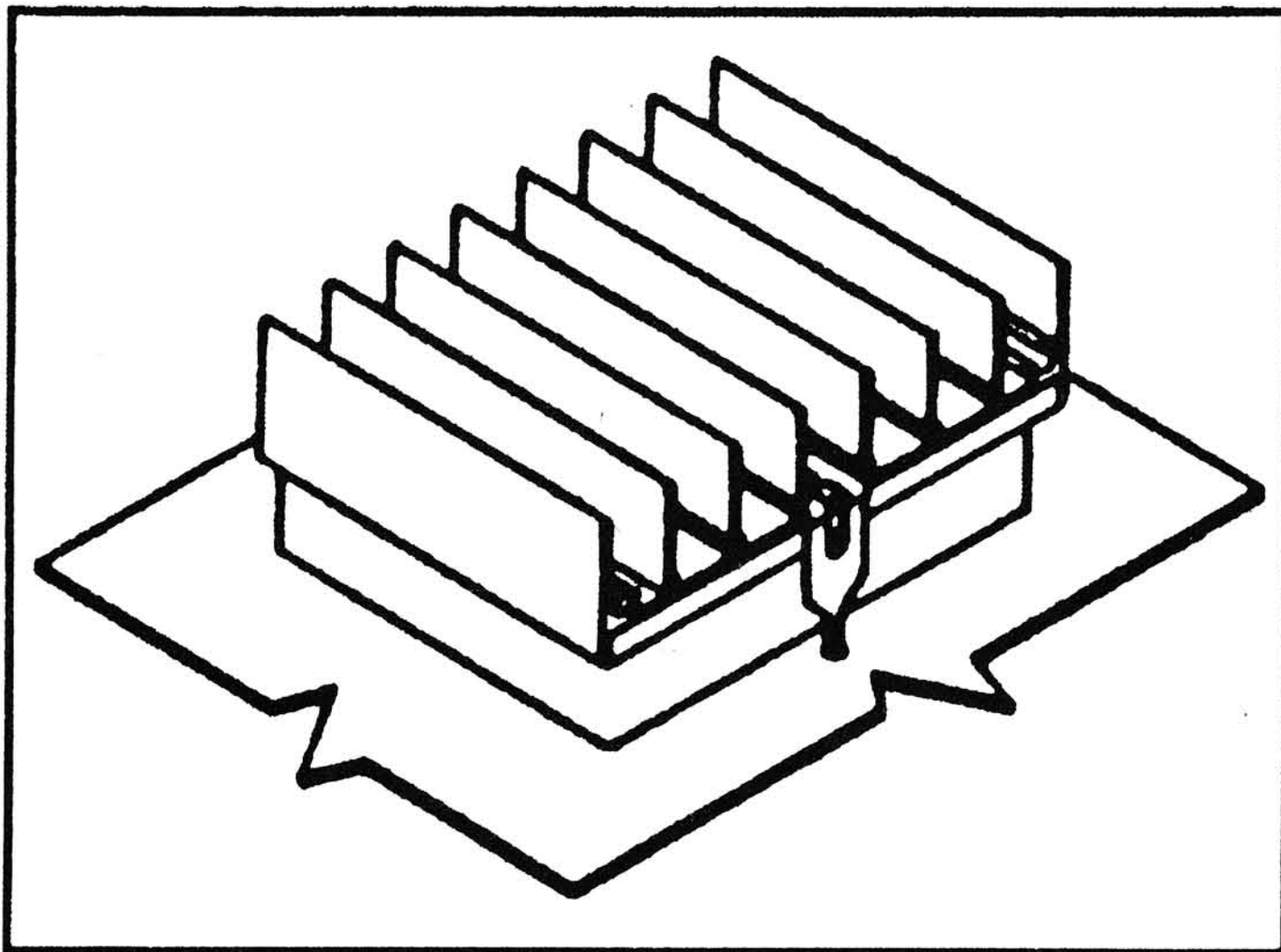


For Use With F1,F2,F5 & F6 FinMods

VICOR #05739 Grounding Clip

Grounding clips provide a convenient means for making electrical connection between the heatsink and the printed circuit board.

Part #06874 Rev. C



For Use With F3 & F4 FinMods

VICOR #05812 Grounding Clip

Grounding clips provide a convenient means for making electrical connection between the heatsink and the printed circuit board.