



Product Change and Last Time Buy Notice

PCN #: 0708024

Date: February 08, 2007

Re: VIPAC AC Systems

To Our Valued Customers:

We appreciate your use of Vicor VIPAC systems. The purpose of this notice is to inform you of a change to the product interface.

PCN Type:

Notice of a product control interface change, and system design changes, requiring either a Last Time Buy or migration to a new model number.

Product(s) Affected:

The control interface changes affects all new AC VIPAC systems beginning with "VP-". The Last Time Buy applies to VIPACs ordered before February 8, 2007.

Proposed Changes:

Due to component availability affected by RoHS compliance requirements, the RS232 control interface will be eliminated. Individual converter control will be accomplished through separate control lines connected to internal opto-isolators. See attached drawings.

Also, Vicor has redesigned the VIPAC to consolidate multiple PC boards into a single PCB and to eliminate an internal connector. These changes, while improving ruggedness and reliability, do not affect the functional performance of the system. Effective with these changes, the PCB mask can be either black or green.

Customer Impact:

Option 1: You may continue to order existing VIPACs with the RS232 interface until August 1, 2007 with delivery scheduled not later than November 1, 2007. A 10 pin connector replaces the 7 pin I/O connector, J3. See attached for schematics of the old and new interface. Details are provided in the VIPAC Design Guide available at www.vicr.com/technical_library/guides/.

Option 2: Configure a new part number (at <http://vdac2.vicr.com/vcad/00vcad-home.asp>) and adapt your application to the new interface. If you choose the latter option, you may want to stock sufficient quantities of older model VIPACs to handle repair and refurbishment requirements.

All VIPACs ordered after February 8, 2007 will use the 10 pin control interface.

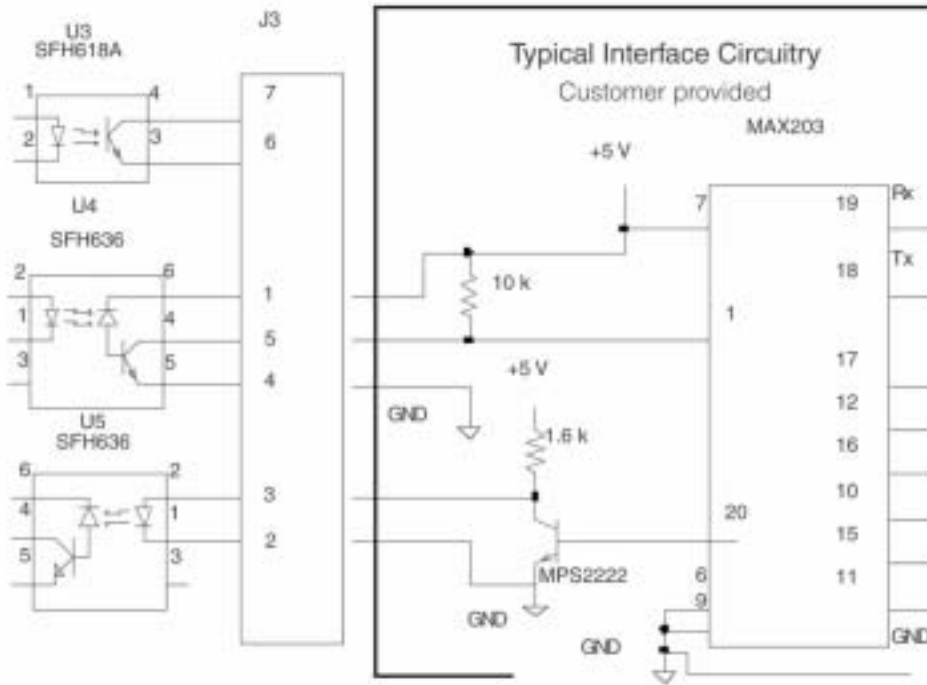
Reliability/qualification summary

The new design has been subjected to and passed an exhaustive series of electrical and reliability tests that are standard for the VIPAC product series. Reliability is projected to equal or exceed that of the previous design. Contact Vicor Quality for quality data and reports.

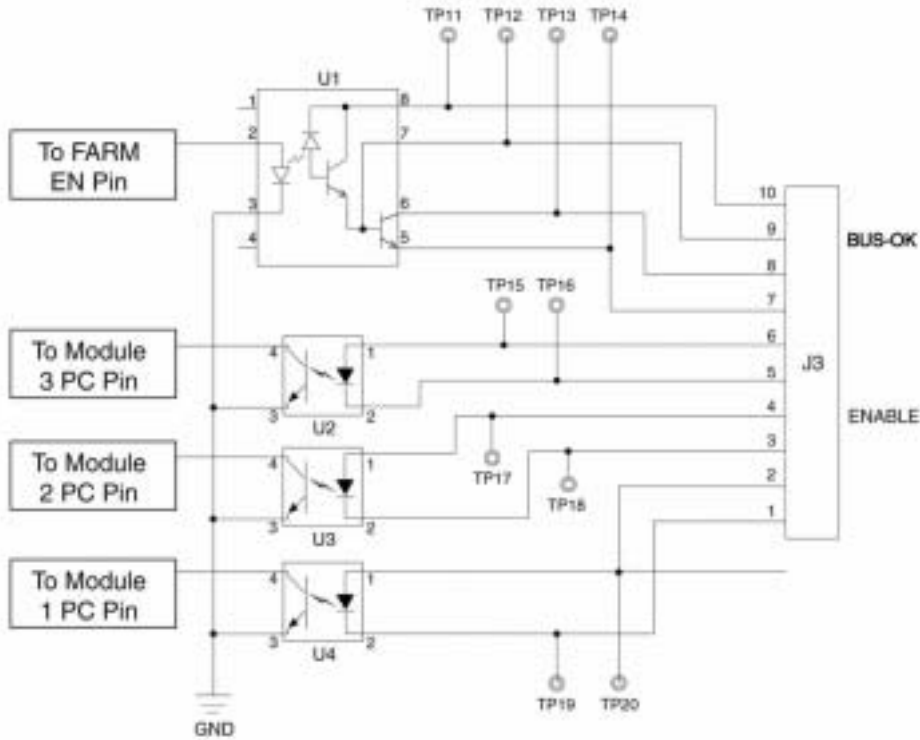


Company Contact:

Applications Engineering
Vicor Corporation
25 Frontage Road
Andover, MA 01810
apps@vicorpower.com



Old VIPAC Control Interface



New VIPAC Control Interface